

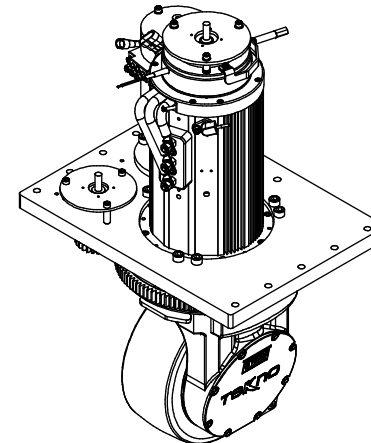
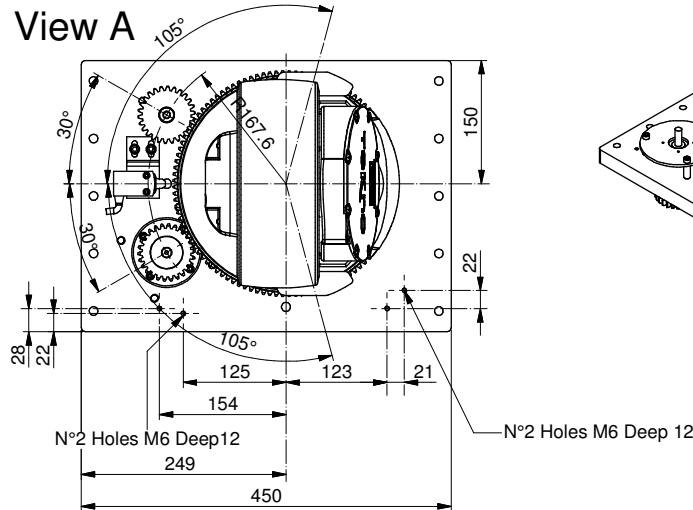
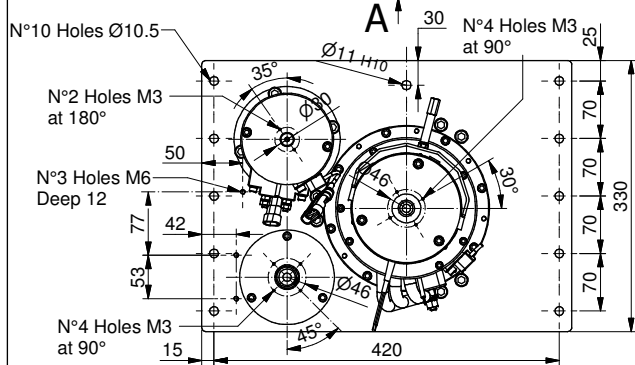
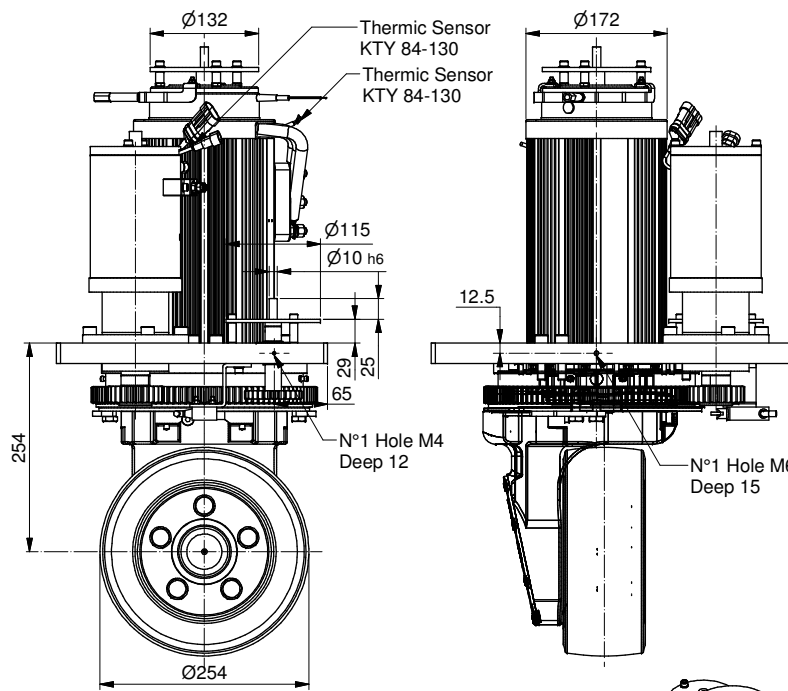
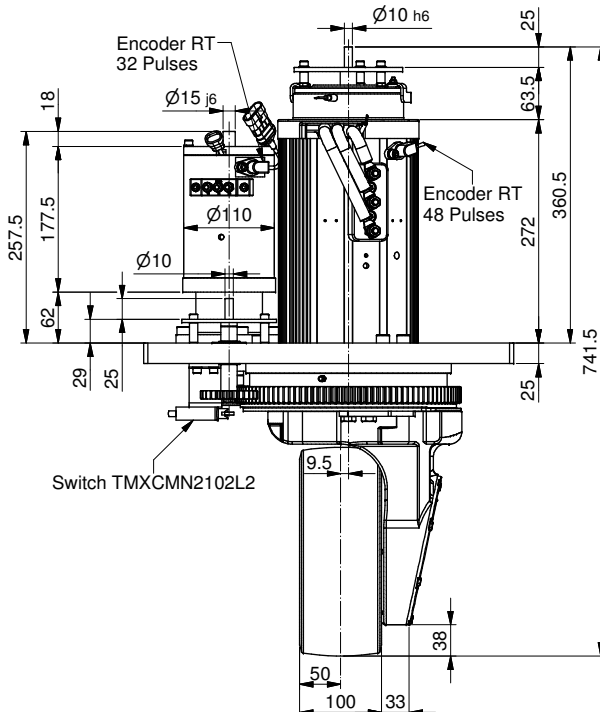


**C.F.R. srl**  
Modena - Italy

# AC MOTOR IN WHEEL UNIT

CODE

**MRT97.0126**



## Traction motor data

Type : AC Asynchronous		
Power (S2 - 60 min)	W	3000
Motor voltage (~3)	V	16
Battery voltage	V	24
Speed	Rpm	2850
Frequency	Hz	100
Current	A	158
Torque	Nm	10
Enclosure	IP	44
AC motor type	AME150 - 150 - 4	

## Traction gear data

Gear ratio	i	1:18.9
Max accel. and braking torque	Nm	750
Nominal wheel torque	Nm	171
Max load on vulkollan wheel	Kg	1500
Max load on poliurethan wheel	Kg	1500
Max load on solid rubber wheel	Kg	800
Brake torque	Nm	20
Lubrication	Oil	

## Steering gearmotor data

Type : AC Asynchronous		
Power (S2 - 60 min)	W	400
Motor voltage (~3)	V	16
Battery voltage	V	24
Motor Speed	Rpm	2800
Frequency	Hz	100
Current	A	26
Motor torque	Nm	1.4
Gear ratio	i	1:45.56
Gear output torque	Nm	46.6
Enclosure	IP	44
Lubrication	Grease	
AC motor type	AG090 - 70 - 4	

<b>Total Weight</b>	Kg	105
---------------------	----	-----

C			
B			
A			
Rev.	Description	Date	Signature

Data :	05/05/2020	Scala :	1 : 6.5
Date :		Scale :	
Dis :			
Drawn :	14		
			<b>A3</b>