



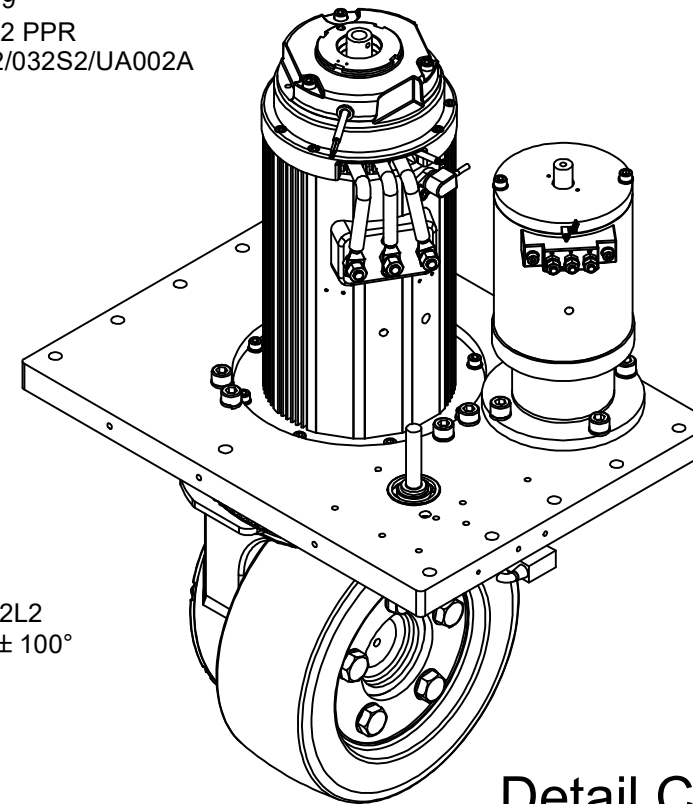
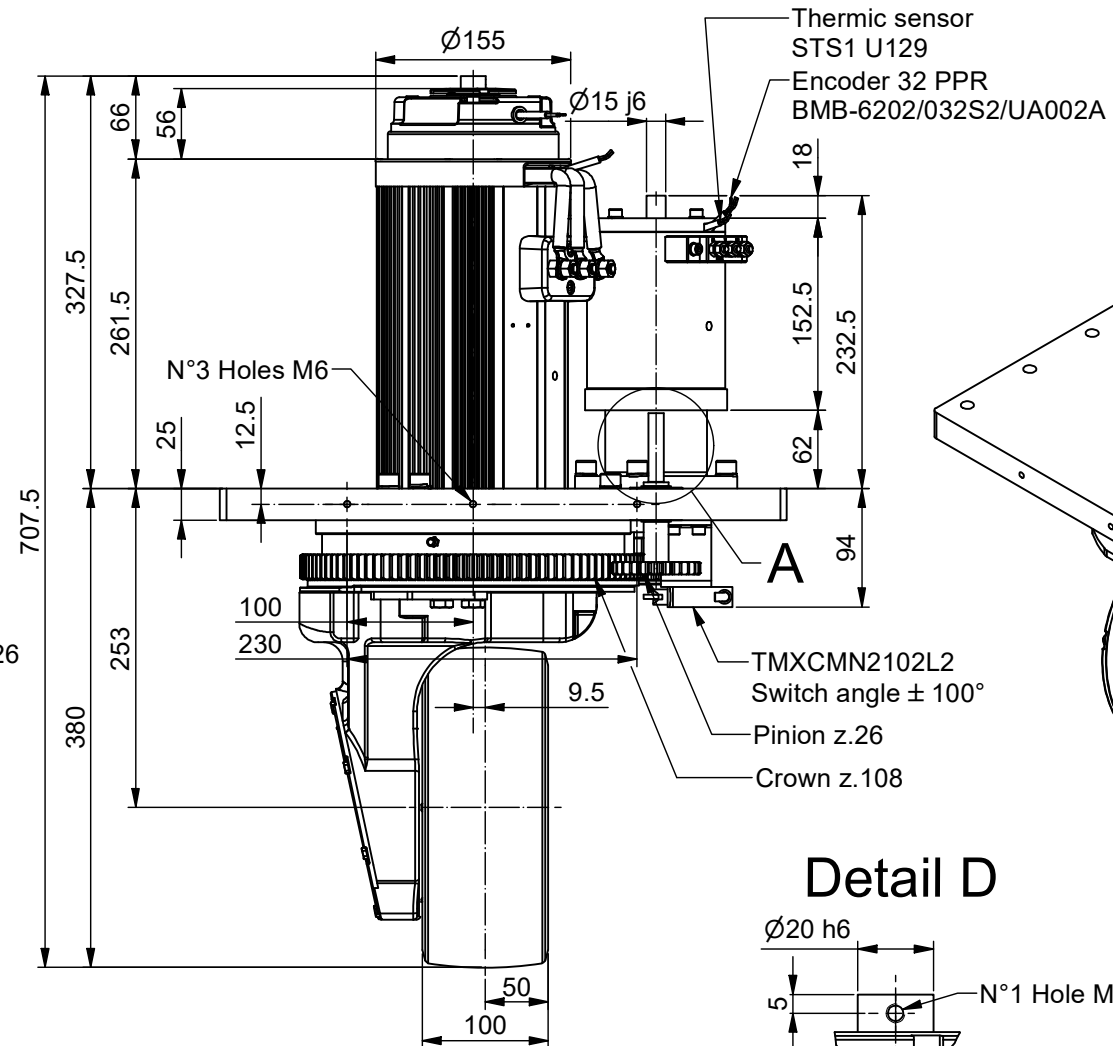
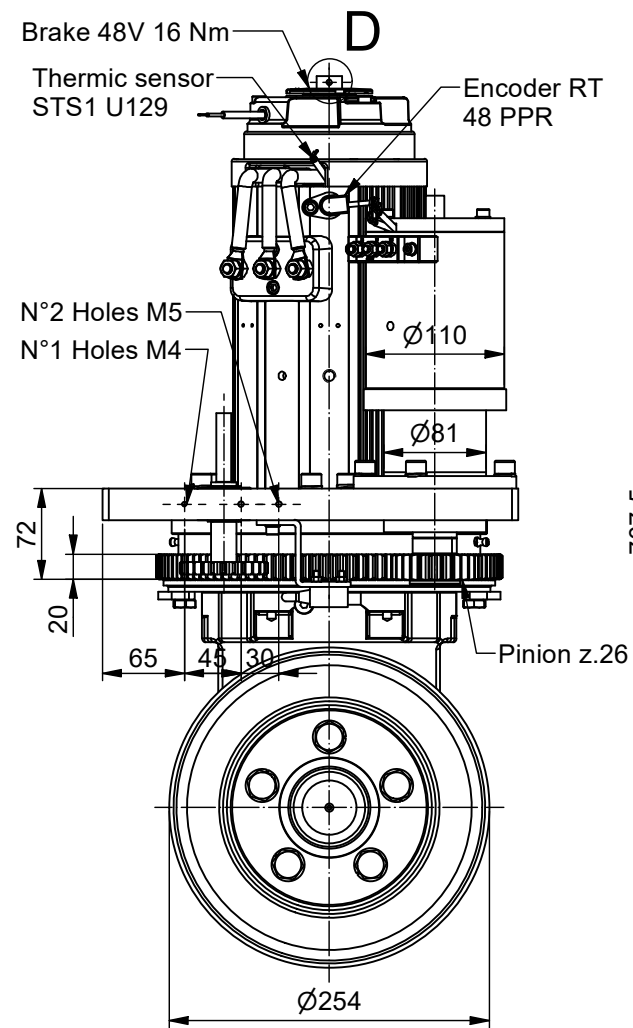
AC MOTOR IN WHEEL UNIT

CODE

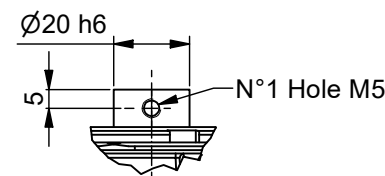
MRT97.0122

Rev.:

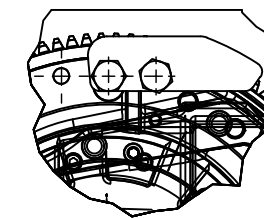
Date:



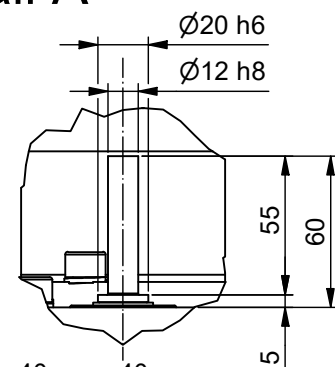
Detail D



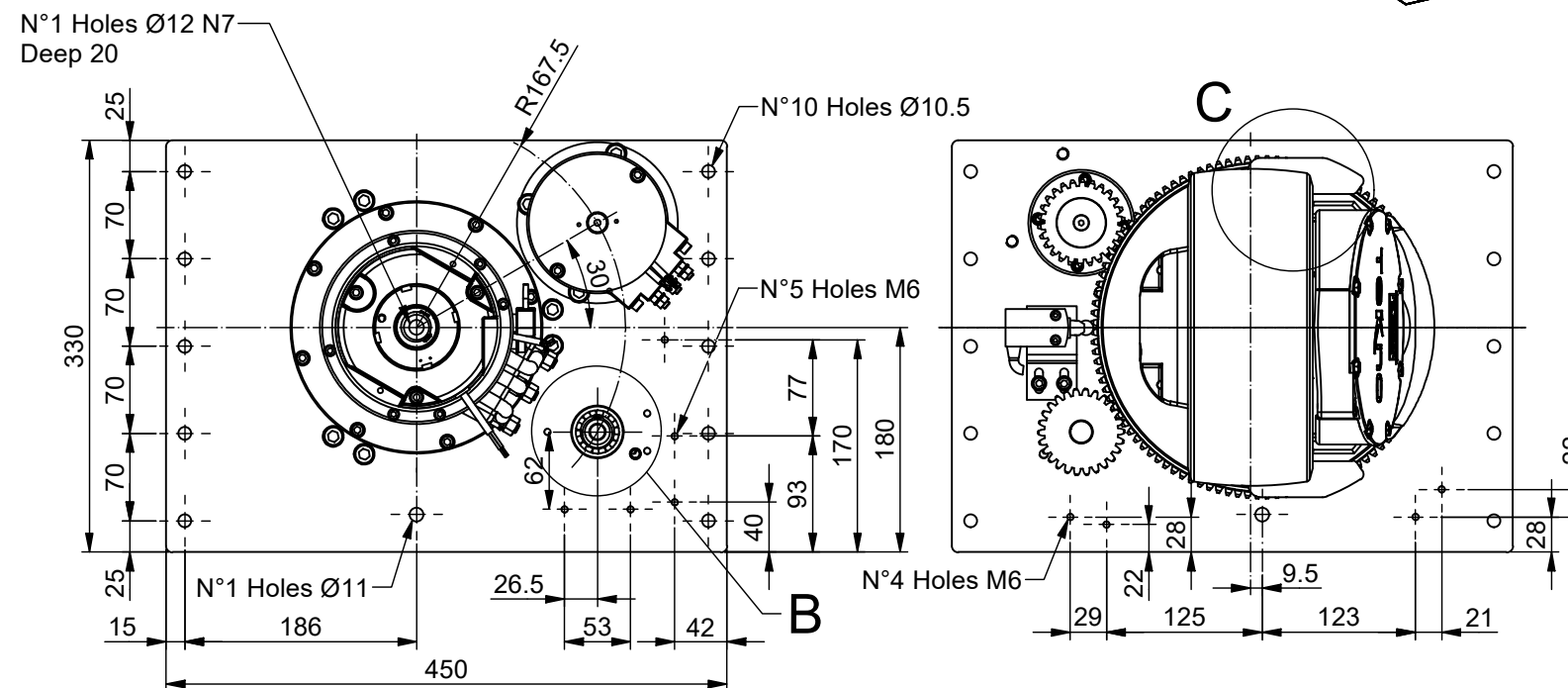
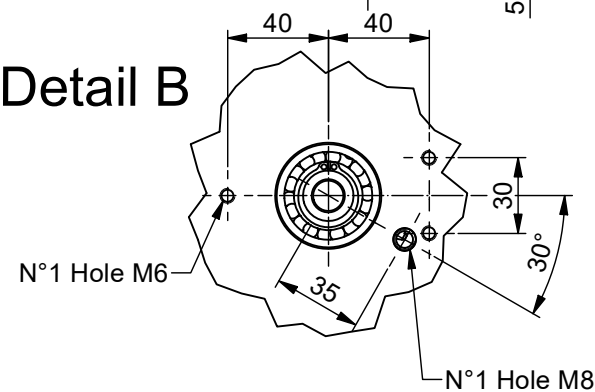
Detail C



Detail A



Detail B



Temp & encoder cables at maximal length 450-500mm

Traction motor data

Type : AC Asynchronous		
Power (S2 - 60 min)	W	2000
Motor voltage (~3)	V	27
Battery voltage	V	48
Speed	Rpm	2000
Frequency	Hz	70
Current	A	55
Torque	Nm	9.6
Enclosure	IP	20
AC motor type	AME135 - 150	

Traction gear data

Gear ratio	i	1:25,6
Max accel. and braking torque	Nm	650
Nominal wheel torque	Nm	220
Max load on vulkollan wheel	Kg	1500
Brake torque	Nm	16
Lubrication	Oil	

Steering gearmotor data

Type : AC Asynchronous		
Power (S2 - 60 min)	W	400
Motor voltage (~3)	V	27
Battery voltage	V	48
Motor Speed	Rpm	2500
Frequency	Hz	88
Current	A	16.9
Motor torque	Nm	1.5
Gear ratio	i	1:45.56
Gear output torque	Nm	51
Enclosure	IP	20
Lubrication	Grease	
AC motor type	AG090 - 70	

Total Weight

Kg	106
----	-----

Data :	13/01/2020	Scala :	1 : 6	A3
Date :		Scale :		
Dis :	R.P.			
Drawn :				