

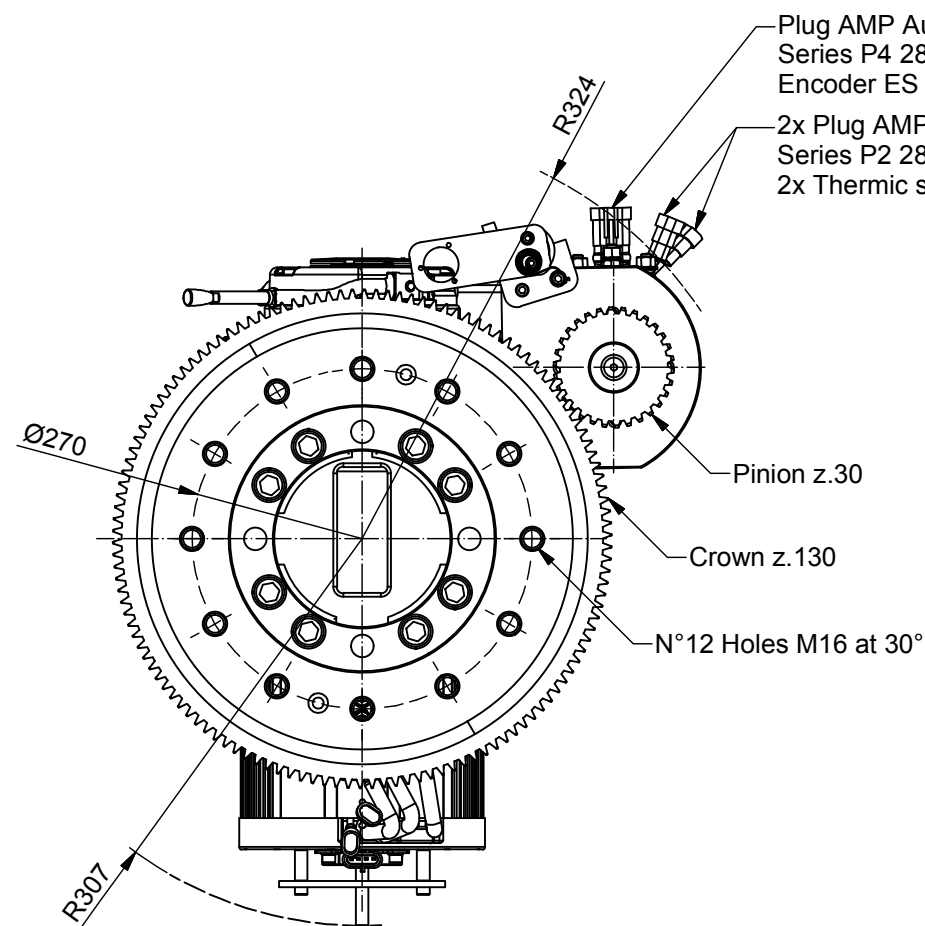
Traction motor data		
Type : AC Asynchronous		
Power (S2 - 60 min)	W	4000
Motor voltage (~3)	V	27
Battery voltage	V	48
Speed	Rpm	1500
Frequency	Hz	50
Current	A	118
Torque	Nm	25.5
Enclosure	IP	44

Traction gear data		
Gear ratio	i	1:34.2
Max accel. and braking torque	Nm	1200
Nominal wheel torque	Nm	654
Max load on vulkollan wheel	Kg	2200
Max load on poliurethan wheel	Kg	
Max load on solid rubber wheel	Kg	
Brake torque	Nm	32
Lubrication		Grease

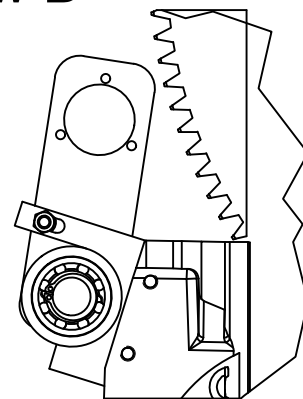
Steering gearmotor data		
Type : AC Asynchronous		
Power (S2 - 60 min)	W	800
Motor voltage (~3)	V	27
Battery voltage	V	48
Motor Speed	Rpm	2800
Frequency	Hz	100
Current	A	33
Motor torque	Nm	2,7
Gear ratio	i	1:45.56
Gear output torque	Nm	92
Enclosure	IP	44
Lubrication		Grease

<b>Total Weight</b>	Kg	118
---------------------	----	-----

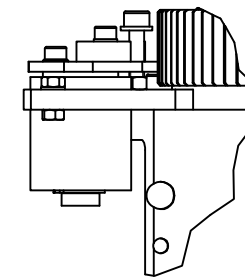
Data : 30/03/2020	Scala : 1:6	<b>A3</b>
Date :	Scale :	
Dis :		
Drawn : A.A.		



View B



Det. A



B ↑