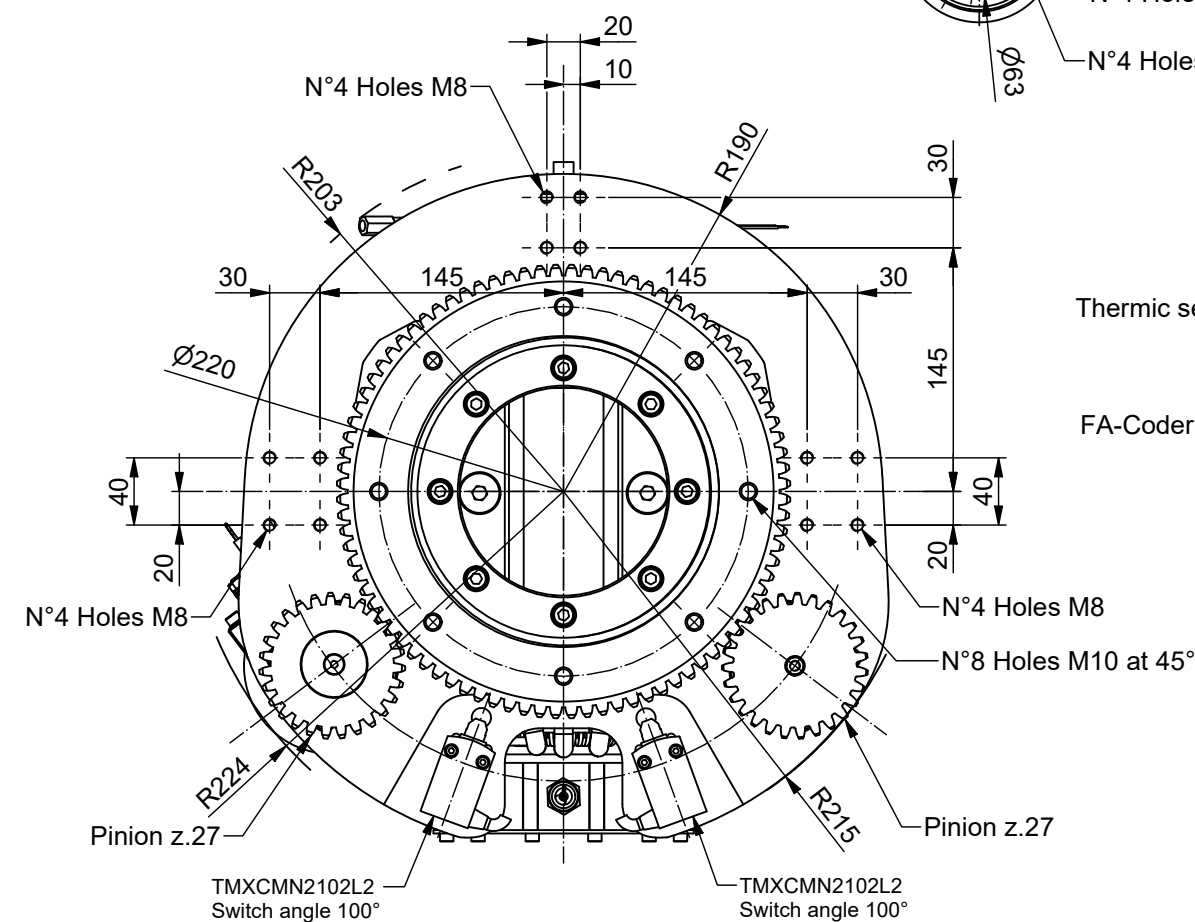
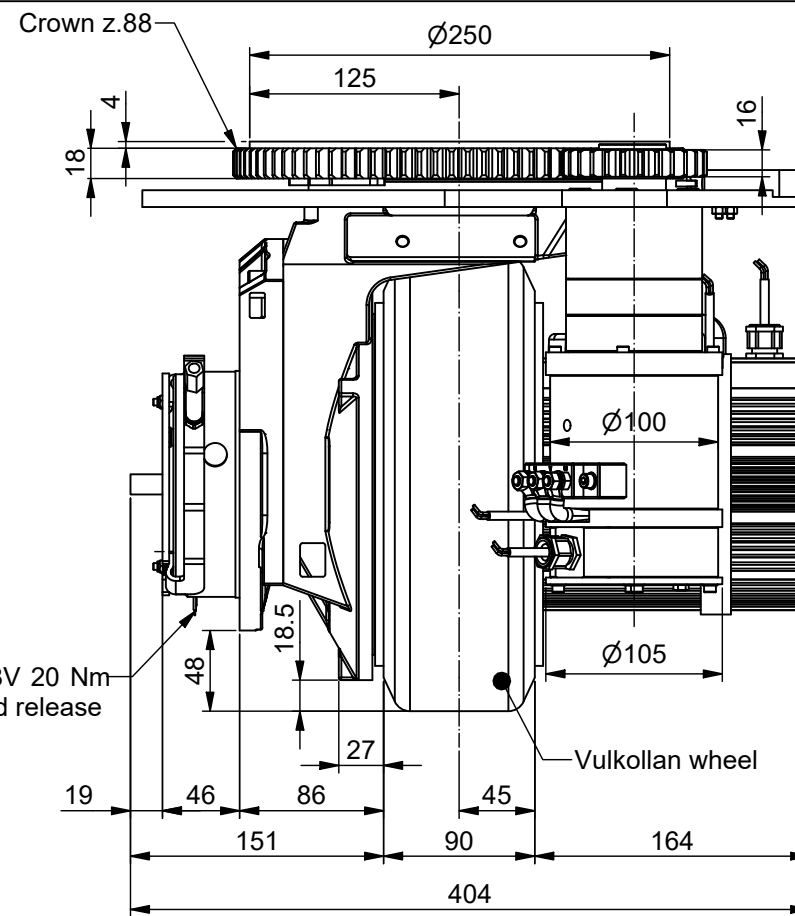
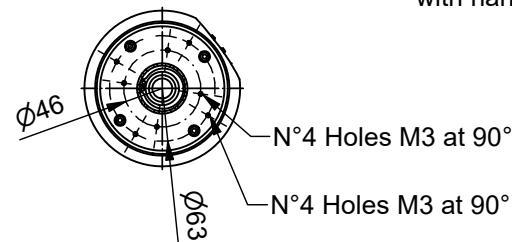
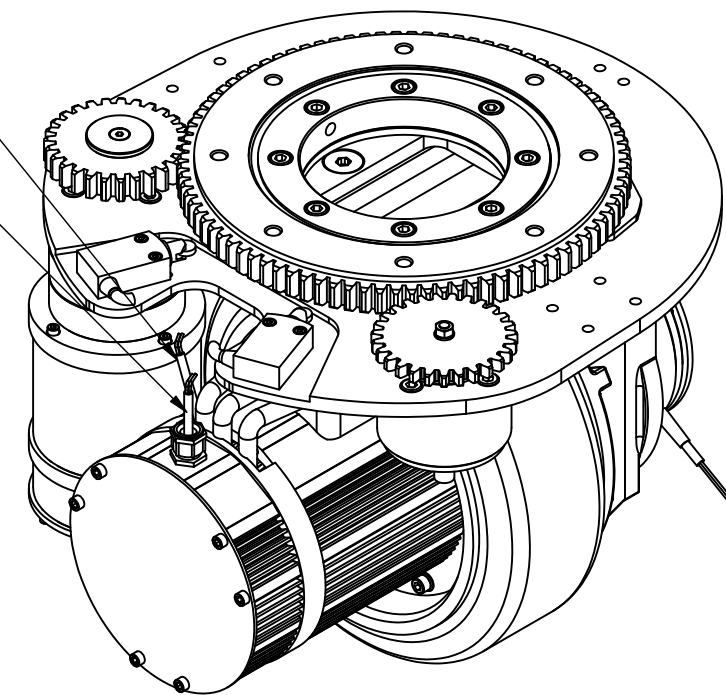


View A



Thermic sensor STS1 U129

FA-Coder OIH48-2048P4-L6-5V



Traction motor data		
Type : BR Brushless		
Curve		
Power	W	2000
Battery voltage	V	48
Speed	Rpm	2000
Frequency	Hz	66.67
Torque	Nm	9.55
Enclosure	IP	54
PMAC motor type	BRE135 - 50 - 4	

Traction gear data		
Gear ratio	i	1:28.2
Max accel. and braking torque	Nm	500
Nominal wheel torque	Nm	138.3
Max load on vulkollan wheel	Kg	1300
Max load on poliurethan wheel	Kg	
Max load on solid rubber wheel	Kg	
Brake torque	Nm	20
Lubrication	Grease	

Steering gearmotor data		
Type : BR Brushless		
Curve		
Power	W	600
Battery voltage	V	48
Motor Speed	Rpm	3000
Frequency	Hz	100
Motor torque	Nm	1.9
Gear ratio	i	1:45.56
Gear output torque	Nm	65.3
Enclosure	IP	54
Lubrication	Grease	
PMAC motor type	BG090 - 25 - 4	

Total Weight	Kg	63
---------------------	----	----

Rev.	Description	Date	Signature
C			
B			
A			

Data :	17/05/2021	Scala :	1 : 4.5	A3
Date :		Scale :		
Dis :	U.L.			
Drawn :				