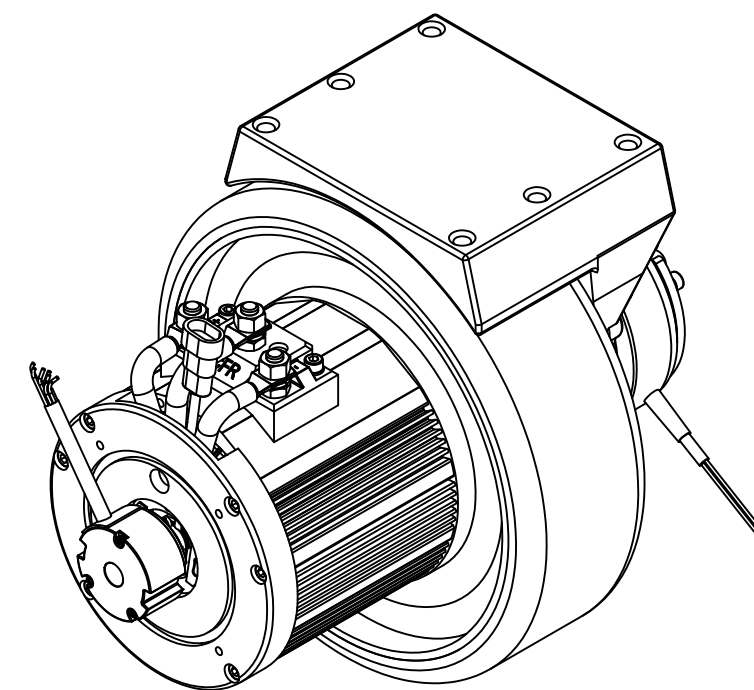


Traction motor data		
Type : BR Brushless		
Curve		
Power	W	1200
Battery voltage	V	48
Speed	Rpm	3000
Frequency	Hz	100
Torque	Nm	3,8
Enclosure	IP	44
PMAC motor type	BRE125 - 50 - 4	

Traction gear data		
Gear ratio	i	1:34,57
Max accel. and braking torque	Nm	280
Nominal wheel torque	Nm	105,6
Max load on vulkollan wheel	Kg	1000
Max load on poliurethan wheel	Kg	900
Max load on solid rubber wheel	Kg	600
Brake torque	Nm	10
Lubrication	Grease	



Total Weight	Kg	52
---------------------	----	----

Rev.	Description	Date	Signature
C			
B			
A			

Data :	19/05/2022	Scala :	1 : 4	A3
Date :		Scale :		
Dis :	A.A.			
Drawn :				