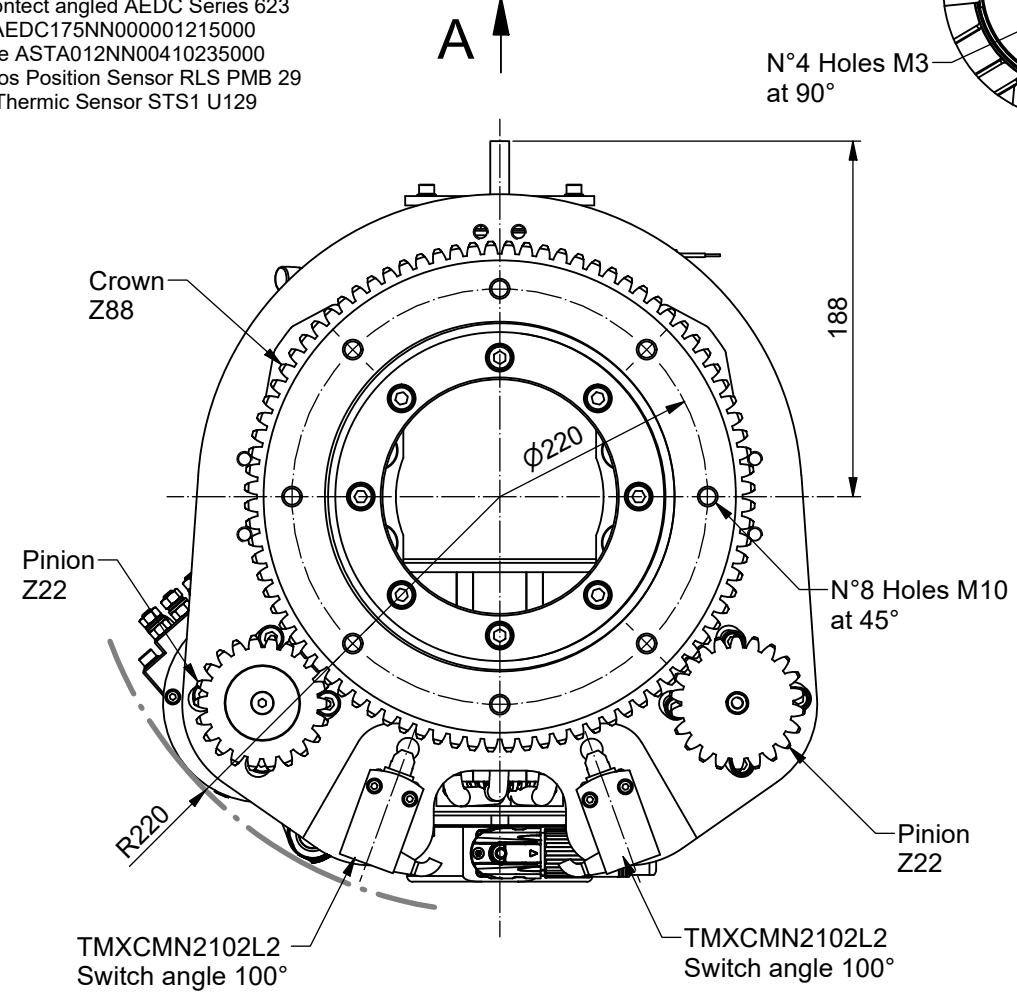
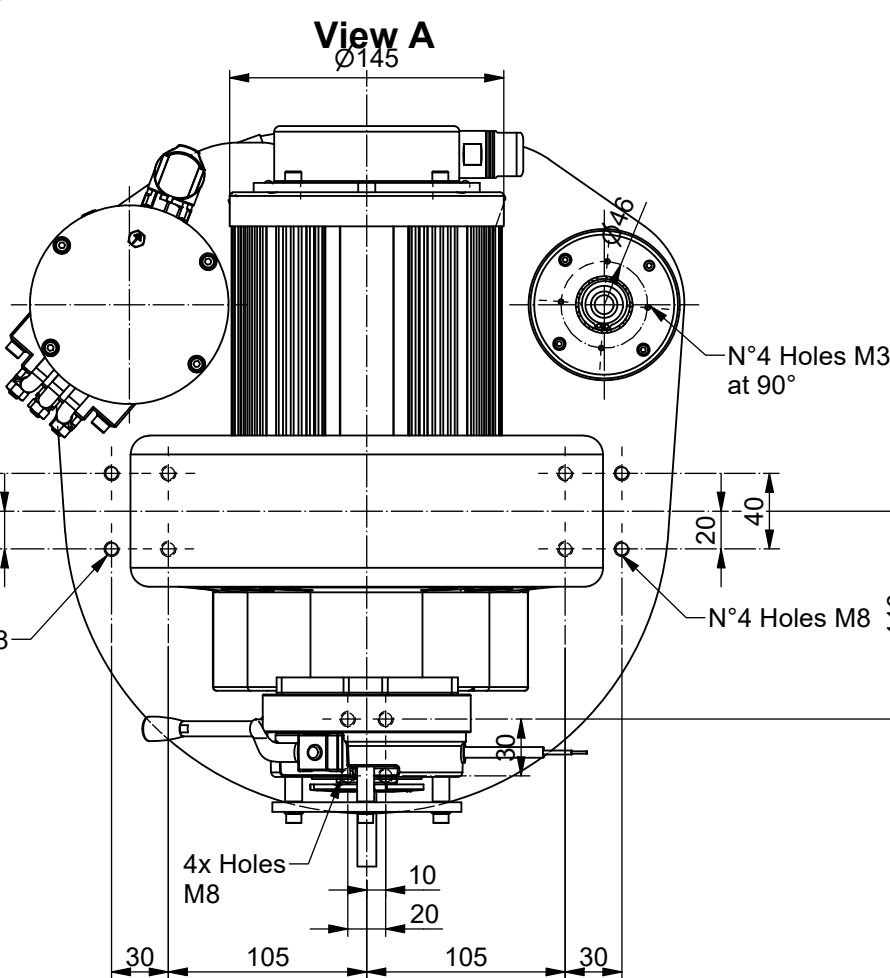
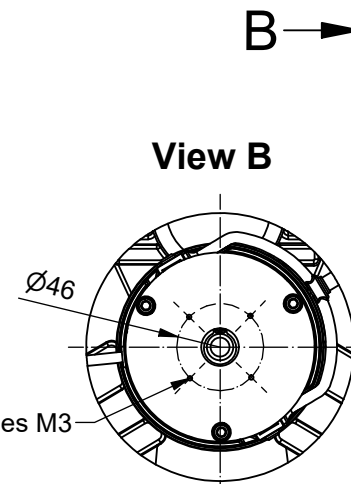


SinCos Position Sensor RLS PMB 29  
Interconnect angled AEDC Series 623  
Male AEDC175NN000001215000  
Female ASTA012NN00410235000  
- SinCos Position Sensor RLS PMB 29  
- N°2 Thermic Sensor STS1 U129



| Traction motor data |                 |      |
|---------------------|-----------------|------|
| Type : BR Brushless |                 |      |
| Curve               |                 |      |
| Power               | W               | 1500 |
| Battery voltage     | V               | 48   |
| Speed               | Rpm             | 2000 |
| Frequency           | Hz              | 100  |
| Torque              | Nm              | 7.2  |
| Enclosure           | IP              | 44   |
| PMAC motor type     | BRE125 - 50 - 4 |      |

| Traction gear data             |        |         |
|--------------------------------|--------|---------|
| Gear ratio                     | i      | 1:34.57 |
| Max accel. and braking torque  | Nm     | 280     |
| Nominal wheel torque           | Nm     | 174.2   |
| Max load on vulkollan wheel    | Kg     | 1000    |
| Max load on poliurethan wheel  | Kg     | 900     |
| Max load on solid rubber wheel | Kg     | 600     |
| Brake torque                   | Nm     | 8       |
| Lubrication                    | Grease |         |

| Steering gearmotor data |                |         |
|-------------------------|----------------|---------|
| Type : BR Brushless     |                |         |
| Curve                   |                |         |
| Power                   | W              | 400     |
| Battery voltage         | V              | 48      |
| Motor Speed             | Rpm            | 3000    |
| Frequency               | Hz             | 100     |
| Motor torque            | Nm             | 1.3     |
| Gear ratio              | i              | 1:45.56 |
| Gear output torque      | Nm             | 43.5    |
| Enclosure               | IP             | 44      |
| Lubrication             | Grease         |         |
| PMAC motor type         | BG090 - 25 - 4 |         |

|                     |    |    |
|---------------------|----|----|
| <b>Total Weight</b> | Kg | 62 |
|---------------------|----|----|

| Rev. | Description | Date | Signature |
|------|-------------|------|-----------|
| C    |             |      |           |
| B    |             |      |           |
| A    |             |      |           |

|         |            |         |       |           |
|---------|------------|---------|-------|-----------|
| Data :  | 15/12/2021 | Scala : | 1 : 4 | <b>A3</b> |
| Date :  |            | Scale : |       |           |
| Dis :   | A.Ar.      |         |       |           |
| Drawn : |            |         |       |           |