

N°4 Holes M3 at 90°

N°8 Holes M10 at 45°

Crown z.88

N°3 Holes M5 at 120°

N°4 Holes M3 at 90°

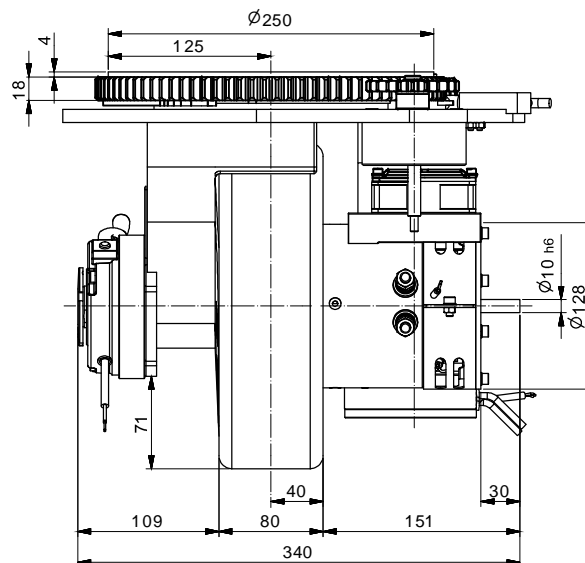
N°4 Holes M8

Pinion z.22

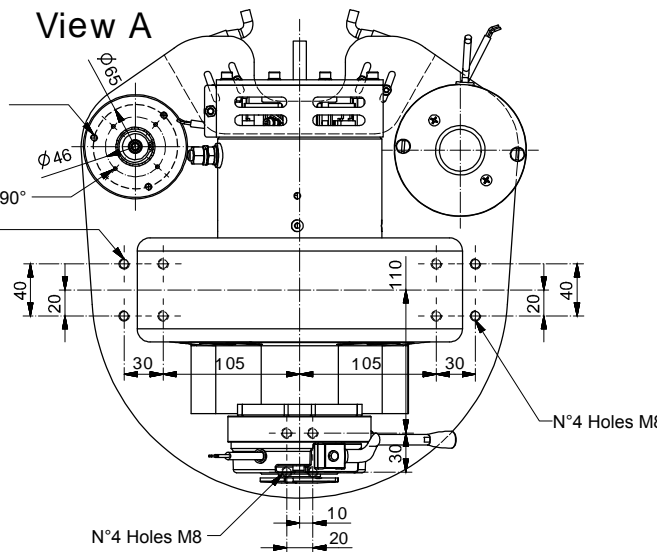
Pinion z.22

TMXCMN2102L1
Switch angle 100°

TMXCMN2102L1
Switch angle 100°



View A



Traction motor data		
Type: Permanent Magnet Motor		
Power(S2 - 60 min)	W	1000
Battery voltage	V	48
Speed	Rpm	2200
Current	A	30
Torque	Nm	4.3
Enclosure	IP	20

Traction gear data		
Gear ratio	i	1:34.56
Max accel. and braking torque	Nm	280
Nominal wheel torque	Nm	125
Max load on poliurethan wheel	Kg	900
Brake torque	Nm	8
Lubrication		Grease

Steering gearmotor data		
Type: Permanent Magnet Motor		
Power(S2 - 60 min)	W	200
Battery voltage	V	48
Motor Speed	Rpm	2800
Current	A	5.2
Motor torque	Nm	0.68
Gear ratio	i	1:45.56
Gear Output Torque	Nm	23.3
Enclosure	IP	20
Lubrication		Grease

Total Weight	Kg	53
---------------------	----	----

Data :	20/04/2020	Scala:	1 : 4	A3
Date :		Scale:		
Dis :	R.P.			