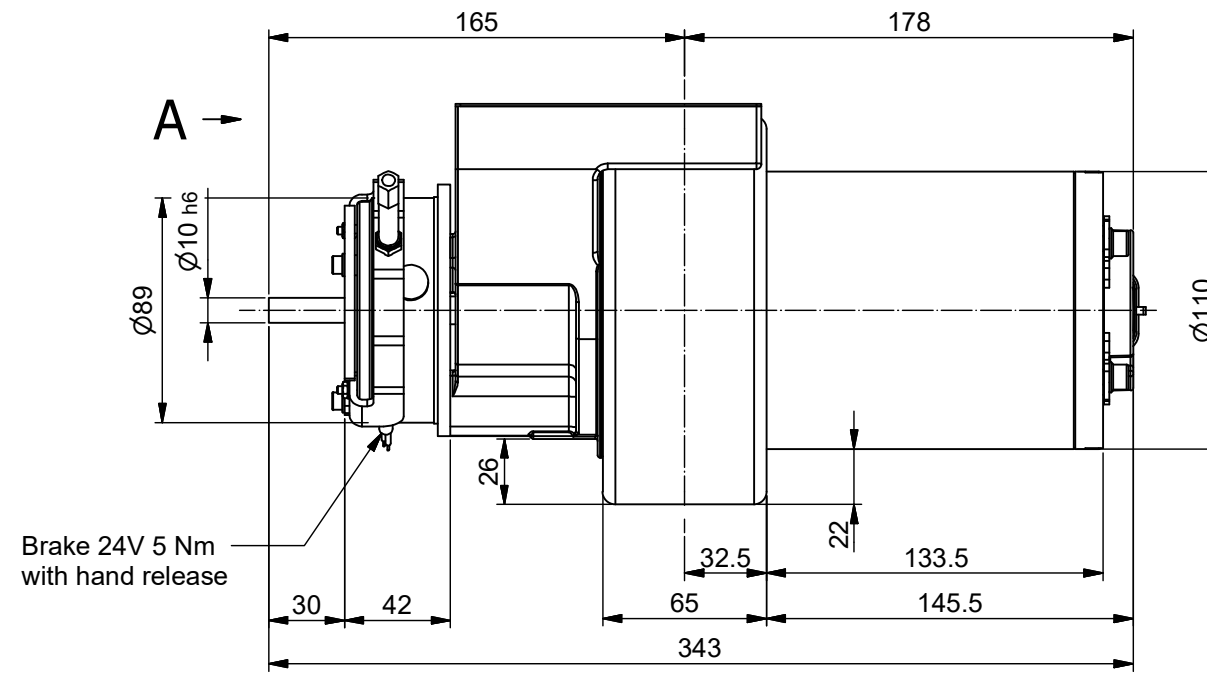
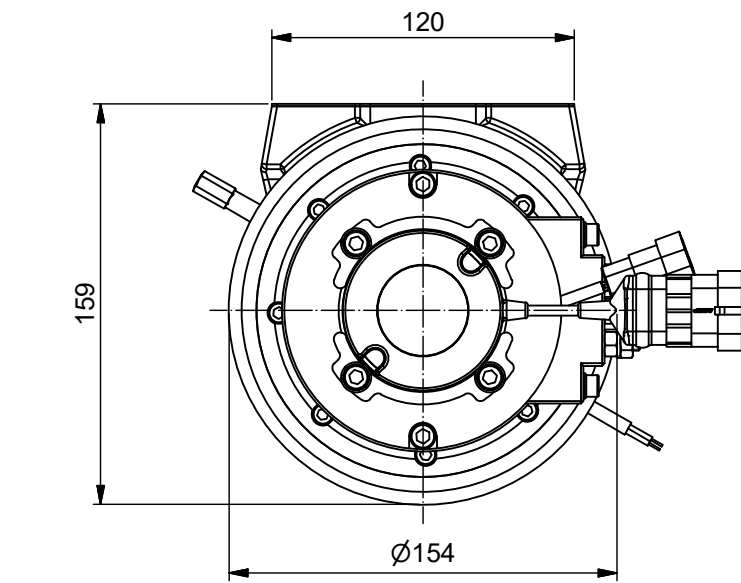


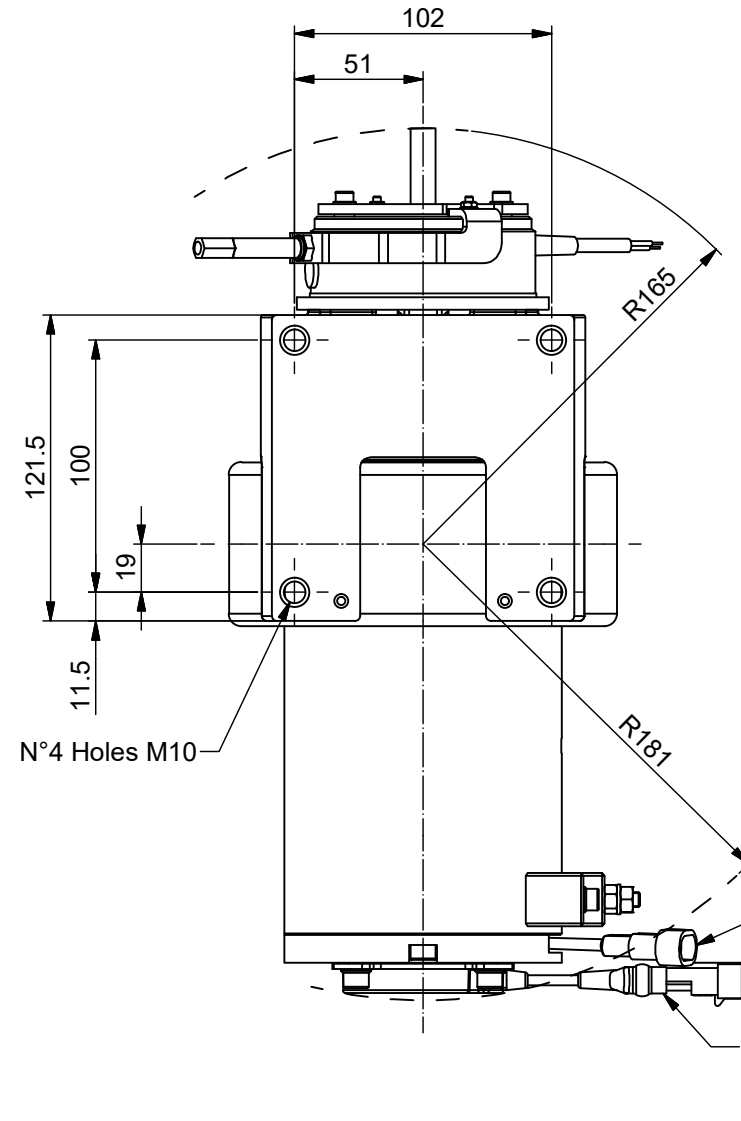
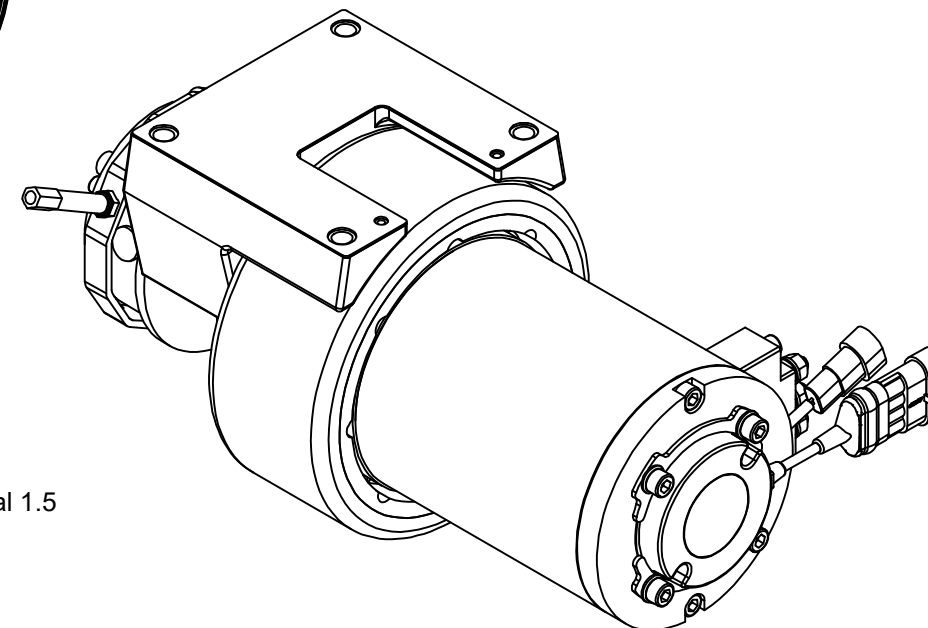
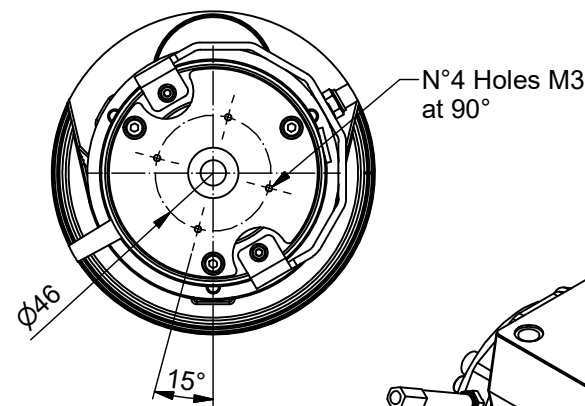


Traction motor data		
Type : AC Asynchronous		
Power (S2 - 60 min)	W	400
Motor voltage (~3)	V	29
Battery voltage	V	48
Speed	Rpm	2850
Frequency	Hz	100
Current	A	8
Torque	Nm	1,3
Enclosure	IP	44
AC motor type	AM090 - 70 - 4	

Traction gear data		
Gear ratio	i	1:13,8
Max accel. and braking torque	Nm	80
Nominal wheel torque	Nm	13.9
Max load on vulkollan wheel	Kg	500
Max load on poliurethan wheel	Kg	
Max load on solid rubber wheel	Kg	
Brake torque	Nm	5
Lubrication	Grease	



View from "A"



Total Weight	Kg	15
---------------------	----	----

Rev.	Description	Date	Signature
C			
B			
A			

Data :	13/02/2020	Scala :	1 : 3	A3
Date :		Scale :		
Dis :	L.L.			
Drawn :				